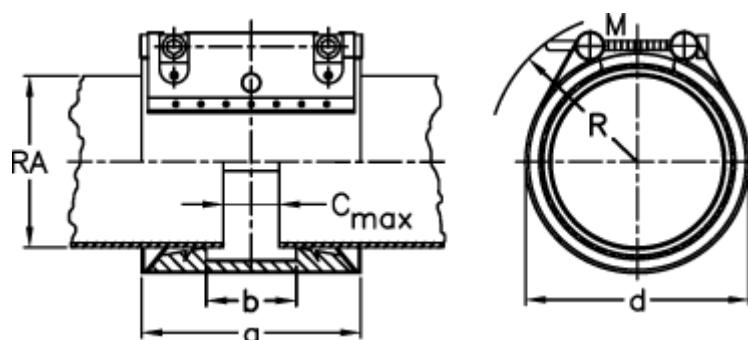


Article number: 025748200219

Description: Norma Connect pipe coupling
GRIP E W4 Ø=219,1 EPDM, 10 bar

Measures



a	= 140	RA min-RA max = 216,9-221,3
b	= 66.8	Weight a piece = 5.9
C max with insertion band	= 35	
d	= 249	
M (screw)	= M16	
Nominal pressure (bar)	= 10	
R	= 155	
RA	= 219.1	